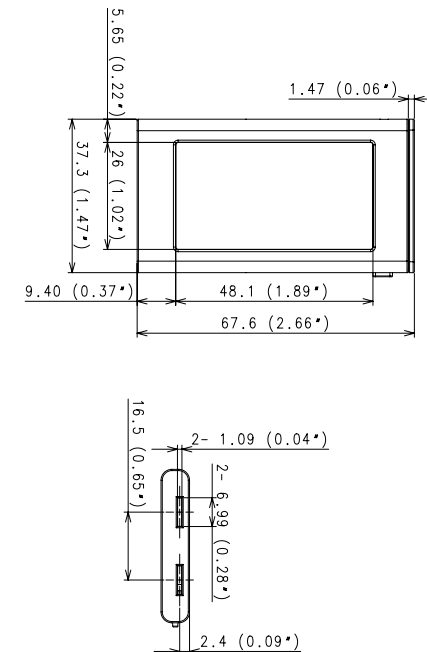


NEWTON X 2.2 INCH

Technical Details

Dimensions (mm)	37.3 × 67.6 × 6.95	Battery	CP302525
Active display area (mm)	26.0 × 48.1	Battery lifetime	3 years
Resolution (pixel)	296 × 160	Encryption	128-bit AES
Pixel density	156 dpi	Compliance	CE, RoHS, FCC
Display technology	Full graphic E-ink display	NFC	FeliCa NFC Forum Type 3
Bezel Color	Black	Waterproof	N.A.
Pixel Color	BWR (Black, White, Red)	Button	1
Viewing angle	Nearly 180°	LED	7 Colors (Red/Green/Blue/ Yellow/Cyan/Magenta/ White)
Usable pages	Up to 7 pages	ESL operating frequency	2,4 GHz
Operating temperature	0°C to 40°C	Wireless firmware update	Yes
Location-Based Services	Yes		

Technical Drawing



NEWTON X 2.2 INCH



e-shelf-labels | S&K Solutions GmbH

Sailerwöhr 16 | 94032 Passau
+49 (0) 851 / 2009 30 30

info@e-shelf-labels.com
www.e-shelf-labels.com

a brand of 
solutions