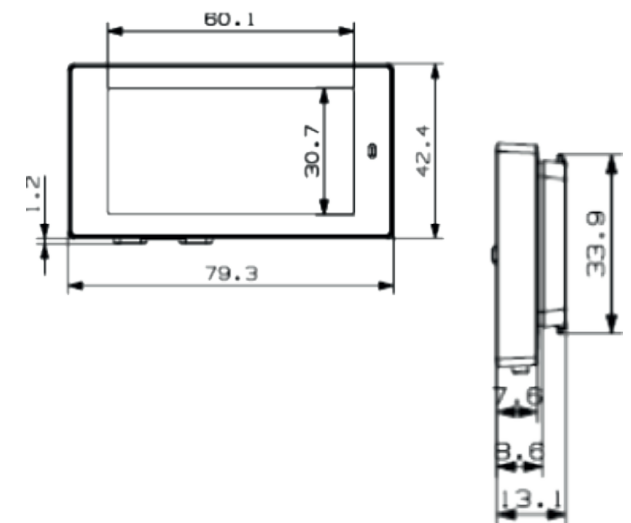


## NEWTON 2.6 BWR

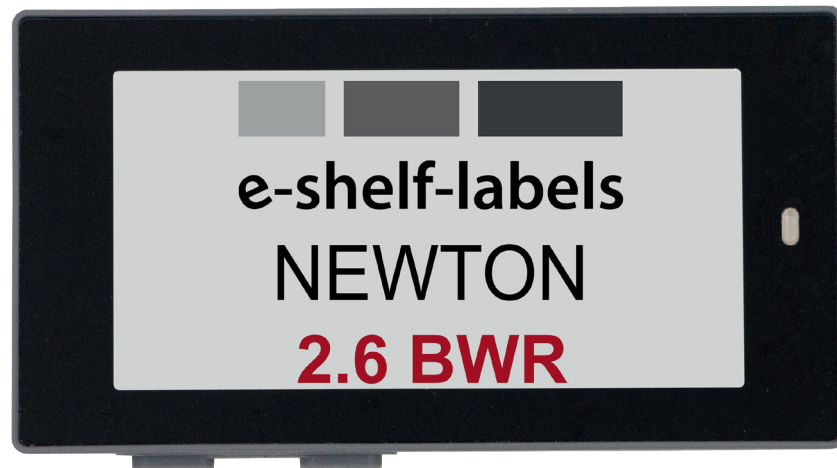
### Technical Details

Dimensions (mm)	79.3 x 42.4 x 13.1	Waterproof	IP67
Button	2 Buttons	Battery	2 x CR2450
LED	7 Colors	Battery lifetime	10 years (7.000-10.000 updates)
Display Technology	Full graphic E-ink display	Encryption	128-bit AES
Active display area (mm)	60.1 x 30.7	Compliance	CE, ROHS, FCC
Resolution (pixels)	360 x 184	NFC	FeliCa NFC Forum Type 3
Pixel density	152 DPI	ESL operating frequency	2,4 GHz
Pixel colors	BW / BWR / BWY	Wireless firmware update	Yes
Viewing angle	Nearly 180°		
Usable pages	Up to 7 pages		
Operating temperature	0°C to 40°C		

### Technical Drawing



## NEWTON 2.6 BWR



e-shelf-labels | S&K Solutions GmbH

Sailerwöhr 16 | 94032 Passau  
+49 (0) 851 / 2009 30 30

info@e-shelf-labels.com  
www.e-shelf-labels.com

a brand of   
solutions