

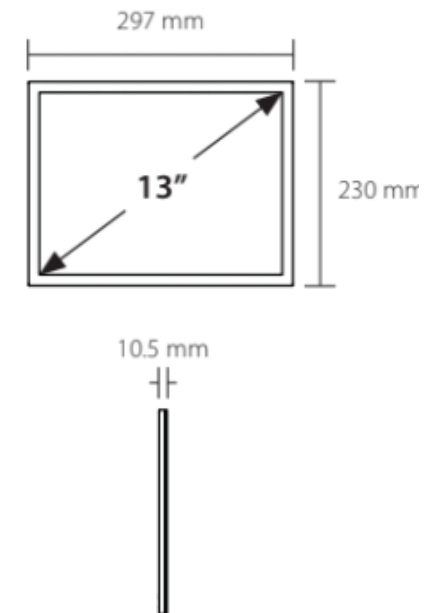
PLACE & PLAY 13"

Technical Details

Dimensions (mm)	297 x 230 x 10.5
Display technology	E Ink Carta electronic paper screen
	16 level grayscale
Active display area (mm)	10.64 x 7.98
Resolution (pixels)	1600 x 1200
Pixel pitch	150 ppi
Viewing angle	180°
Refresh rate	750 ms (4 bit full screen) / 100 ms (1 bit)

Battery	Rechargeable Lithium-Polymer; 10,000Ah
Battery lifetime	up to 12 months
Charging	Enclosed Micro USB charging cable
Wi-Fi	WPA2-PSK, WPA2-EAP support
Operating frequency	2,4 GHz

Technical Drawing



PLACE & PLAY 13"



e-shelf-labels | S&K Solutions GmbH

Sailerwöhr 16 | 94032 Passau
+49 (0) 851 / 2009 30 30

info@e-shelf-labels.com
www.e-shelf-labels.com

a brand of 
solutions