



NEWTON LITE 2.2

e-shelf-labels



TECHNICAL DETAILS

GENERAL:

Dimensions (mm)	71.22 x 37.21 x 14.00
LED	7 Colors

DISPLAY:

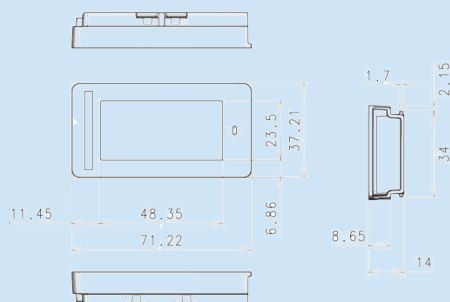
Display Technology	Full graphic E-ink display
Active display area (mm)	48.35 x 23.50
Resolution (pixels)	250 x 122
Pixel density	130 DPI
Pixel colors	BW / BWR / BWY
Viewing angle	Nearly 180°

OPERATION:

Usable pages	Up to 7 pages
Operating temperature	0°C to 40°C
Waterproof	IP52
Battery	1 x CR2450
Battery lifetime	5 years (2 updates/day)
Encryption	128-bit AES
Compliance	CE, RoHS, FCC

CONNECTIVITY:

NFC	FeliCa NFC Forum Type 3
ESL operating frequency	2,4 GHz
Wireless firmware update	Yes



e-shelf-labels | S&K Solutions GmbH & Co. KG

Sailerwöhr 16 | 94032 Passau

+49 (0) 851 / 2009 30 30
info@e-shelf-labels.com

www.e-shelf-labels.com



brand of solutions