



e-shelf-labels

SMART.
DIGITAL.
EFFICIENT.

Product Catalog

ESL MOUNTS



DISCOVER
OUR
ASSORTMENT!



In cooperation with METO & OVELAR

Overview

Products

- 1 E-Shelf-Labels 04
- 2 Areas of Application 10
- 3 VUSION mounts - M series 14
- 4 NEWTON mounts - M series 26
- 5 NEWTON mounts - O series 27
- 6 Compatibility Overview VUSION 28
- 7 Compatibility Overview NEWTON 29

Electronic price tags & labels

Digital pricing offers a cost-effective and efficient solution to facilitate quick price adjustments of products. This allows a connection between offline commerce and e-commerce. Thanks to a high degree of customisability of the labels, they are suitable for any industry and shop size and offer a reliable response to price fluctuations. This not only saves a great deal of time, but also personnel, costs and resources.

YOUR ADVANTAGES

- fast price adjustment
- no recording errors
- actuality and time saving
- change in a few minutes
- lower power consumption
- higher customer satisfaction

OUR MOUNTS

- Bars
- Clips
- Adapter plates
- Displays
- Additional extensions
- Other mounts
- Shelf profiles
- Hooks
- Holder
- Stand clamps
- Pedestals
- Boomerang pedestal
- Telescopic tubes
- Hanging hooks
- Angle Plug
- Newton and Vusion custom mounts

In principle, a distinction is made between the brands Vusion and Newton for electronic price signs and labels. Both brands have displays in different sizes. Each label requires a suitable and individual mount depending on the manufacturer, size and application.

VUSION

The modular VUSION series on an e-paper basis can be customised in its layout and impresses above all with its easy installation, very good readability and up to 10 years of battery life. In addition, special versions such as the freezer models or the chemical-resistant labels are also available.

NEWTON

The multifunctional NEWTON labels with E-Ink displays in BWR are also available in selected sizes as Freezer models and as NEWTON Lite without buttons. Lightweight and efficient, they are ideally suited for use in retail and industry.



Areas of Application

RETAIL

Whether in construction markets, supermarkets or furniture stores, the future of price labeling is digital. Electronic labels don't just save money in the long term, they also save staff resources. As a result, employees have more time for interacting with customers and providing purchase advice.



ROOMMANGEMENT

Electronic labels provide a flexible and safe system for room signage and reservation in offices, conference rooms and treatment rooms. This not only reduces the workload of the administration, but also guarantees error-free and clear presentation.



INDUSTRY

Electronic labels are now facilitating important tasks in the industry. They represent flow charts, identify machines or shelves with the product they contain. This not only improves warehouse management, but also multiple processes throughout the entire process.



HEALTHCARE

To ensure efficiency and responsiveness in medical environments, digital signage in the form of shelf labelling, room labelling and electronic labels is increasingly used. The aim is to reduce staff workload and avoid errors.



GASTRONOMY & HOTEL

Digital signage in these industries offers a range of uses. They can be used as digital price labels for food and beverages as well as buffet signage. Uniformity, timeliness and functionality are preserved through centralised control.



OTHER APPLICATIONS

There is a wide range of other applications. E-shelf labels are used for signage in public spaces, such as stadiums or staff transport. They are also increasingly used in the automotive industry to label cars or bicycles.



VUSION mounts

M series

Bars

- Perfectly suitable for shelves
- Fixation directly in the bar
- Custom size on request
- Material: PVC
- Available colors: Transparent



Clips

- Usage in combination with adapter plates
- Material: PC



Universal-bar

- Available lengths: 988 mm, 1000 mm, 1238 mm
- Roof to protect against dirt
- 15mm double sided tape



TLS-H-adapter

- Available lengths: 36 mm
- Attachment on existing paper rail from the bottom

TLS-H-bar

- Available lengths: 988 mm, 1238 mm
- Roof to protect against dirt
- Compatible with Tego / Linde / Storebest / Harres
- Adjustable in 2 positions



Glass-bar

- Available lengths: 1000 mm, 1250 mm
- Roof to protect against dirt
- For 4-6mm thick glass bottoms

Clamping-bar-adapter

- Available lengths: 54 mm
- For existing price labels
- Attachment on a 5mm wire



Price tag clip

- Available colors: Transparent, Black
- Adapter can be adjusted horizontally by 45°



Light clip

- Available color: Transparent
- Flexible hinge and small insert for adapter plates



Transparent clip

- Available color: Transparent
- Suitable on boxes



Adapter plates

- Attachment on battery cover
- Material: PC
- Available color: Transparent
- Usage in combination with clips

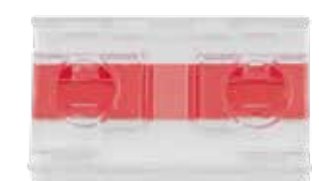
Adapter plate standard



Adapter plate with magnet



Adapter plate with tape



VUSION mounts M series

Foot stand

- Usage as a tripod
- Usage in service counters
- Available colors: Transparent



Single stand

- Material: PC
- Usage as a stand in combination with various adapter plates



Foot stand small, version 1

- Material: PC
- Attachment on battery cover
- 2 pieces per ESL required



Foot stand small, version 1

- Material: Lexan 163r
- Usage in combination with various adapter plates
- Rotation into the adapter plate



Hangtag mount 2.2" & 2.6"

- Material: PVC
- Available colors: black
- Installation on battery compartment



Additional extensions



SnapOn

- Material: ABS
- Available colors: On demant
- Plugged directly on the ESL front housing
- Can be produced in various colors and be printed with text/logo

Other mounts

Spring bracket, telescopic

- Material: Aluminium, Stahl PETG, PA
- Available Colors: Light grey
- Strong clamp hook
- single or double-sided
- made of 1x spring holder, 2x ESL-mount, 1x pipe adapter



Suspension hook

- Material: POM
- Available Color: Black, White
- Attachment on battery cover
- 2 pieces per ESL recommended
- For 12mm suspension



Unifix roll

- Material: POM
- Available Color: White
- For 8-35mm thick shelves, suitable in combination
- Usage in combination with adapter plates
- 1 or 2 per ESL required

Wall mount

- Material: PC
- Available Color: Transparent
- Versions: Standard, with tape, with magnet
- Attachment on battery cover



Blisterhook / Peghook Adapter

- Material: PC
- Available Color: Transparent
- Adjustable in 3 angles with back swing mechanism
- Fits most types and brands of metal and plastic blister hooks
- Made of 2 parts: 1 part for metal hooks & and 1 part for ESL



Clip for glass bottoms

- Material: PC
- Available Color: Transparent
- Installation on the front of glass bottoms in vertical positions
- For 3-9mm thick glass floors
- Usage in e.g. drugstores or pharmacies



NEWTON mounts

M series

Bars

- Fixation directly in the bar
- Custom Size on request
- Material: PVC



Display

- Usage on service counters
- Usage with small adapter plate
- Material: PC
- Available Color: Transparent



Glass bottom bar

- Available colors: Graphite black RAL 9011
- Available length: 1000 mm
- For 4-6mm thick glass bottoms



TLS-H bar

- Available colors: Anthracite gray RAL 7016
- Available length: 998 mm, 1238 mm
- Roof to protect against dirt
- Compatible with Tego / Linde / Storebest / Harres
- Adjustable in 2 positions



Universal bar M2 with tape

- Available colors: Anthracite gray RAL 7016
- Available length: 1000 mm
- Flexible front
- Clamp on the back to adjust the rail
- 15mm double-sided tape



Single Display 10 cm



Single Display 5 cm

Footstand, small



Clips

- Usage in combination with adapter clips and adapter plates
- Available Color: Transparent

Transparent clip with adjustable adapter, insert

- Material: PC
- Suitable on boxes



Transparent Clips

- Material: PVC, POM
- Flexible hinge and small insert for adapter plates



NEWTON mounts

M series

Adapter plates

- Attachment on battery cover
- Material: PC
- Available Color: Transparent
- Usage on various standard elements
- Integrated card insert for promotions

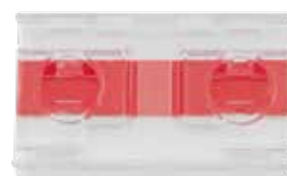
Adapter plate Standard



Adapter plate with magnet



Adapter plate with tape



Unifix roll

- Material: PVC, POM
- Available colors: Semi-transparent, White
- For 8-35mm thick shelves
- Rotation into the adapter plate
- 2 pieces per ESL required



Other mounts

Blisterhook / Peghook Adapter

- Material: PC
- Available Color: Transparent
- Adjustable in 3 angles with back swing mechanism
- Fits most types and brands of metal and plastic blister hooks
- Made of 2 parts: 1 part for metal hooks & and 1 part for ESL



Additional extensions



SnapOn Newton - for all sizes

- Material: ABS, PVC film
- Available Colors: on demand
- Plugged directly onto the ESL front housing
- Can be produced in various colors and be printed with text/logo

Metcool

- Material: PA 10% GF
- Available Color: Red
- Lever tool for various ESL mounts and rails



Tool for removing labels

- Material: Stainless steel
- Available Colors: Silver
- Lever tool for various ESL mounts and rails



NEWTON mounts

O series

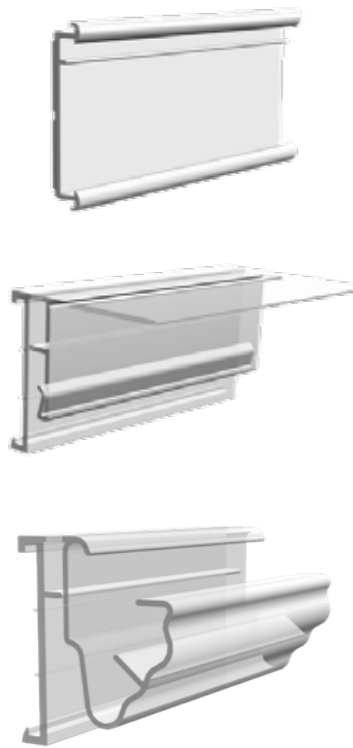
Shelf profile

- For attaching labels to the shelf
- Material: PVC



Haken

- Inclination can be adjusted depending on the height of the label
- Material: Polycarbonate



Shelf profile for flat front side

- Available Colors: Transparent, Black
- Available Lengths: 985mm, 1315mm

Shelf profile with adhesive surface and double flap

- Available Colors: Transparent, Black
- Available Lengths: 985mm, 1315mm

Shelf profile for Storebest, Tegometall & Linde/ Costan shelves

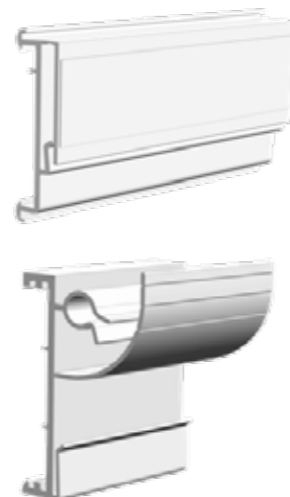
- Available Colors: Transparent, Black
- Available Length: 1235mm

Shelf profile with adhesive surface

- Available Colors: Transparent, Black
- Available Lengths: 985mm, 1315mm

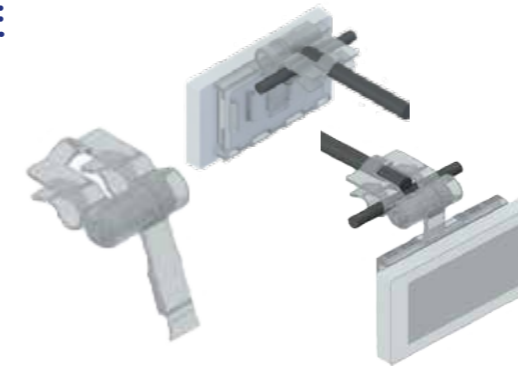
Shelf profile for T-bars

- Available Colors: Transparent
- For attaching to „T“-hooks and to the shelf



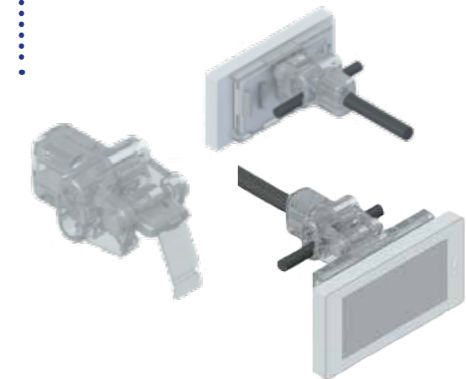
Cho cross hook model with three degrees of inclination

- Available color: Transparent
- For Ø 3 to 6 mm and Ø 5 to 8 mm rods
- Requires T-hook attachment: Suitable for short upper, axial or lower bar hook rod



Hook with universal OVL model

- Available color: Transparent
- Benötigt T-Haken-Befestigung: Passend für kurze obere, axiale oder untere Stangenhaken Stange



Single sided hook

- Available color: Crystall
- Hook for hanging SOLUM 11.6" from hanging rails
- Compatible with bracket and hook for SOLUM 11.6"



Bracket & hook for SOLUM 11.6"

- Material: ABS, Polycarbonate
- Available colors: Gray, Crystal
- For hanging on overhead rail



NEWTON mounts

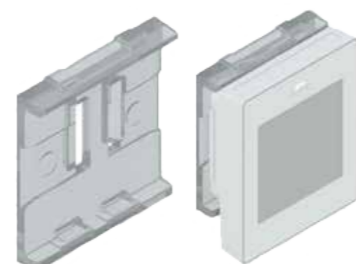
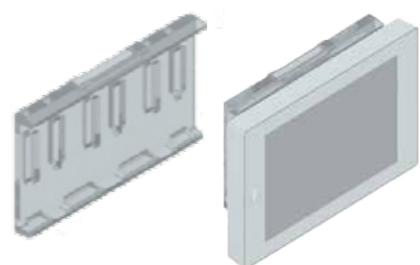
O series

Adapter plates

Material: Polycarbonate
Available Color: Transparent

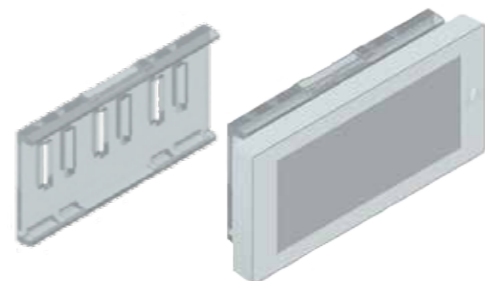


Adapter plate 1.6"

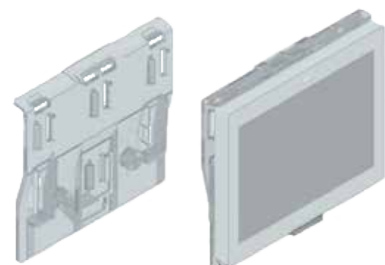


Adapter plate 2.2", 2.6" & 2.7"

Adapter plate 2.9"

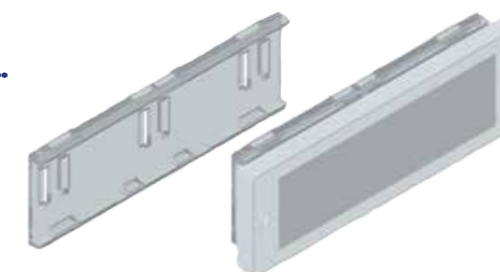


Adapter plate 4.2"



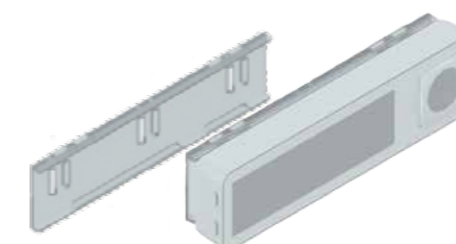
Inclined brace 4.2"

Adapter plate 4.3", 6.0" & 7.5"



Adapter plate 6.0"

Adapter plate 7.5"



Adapter plate SOLUM
Button Label

NEWTON mounts

O series

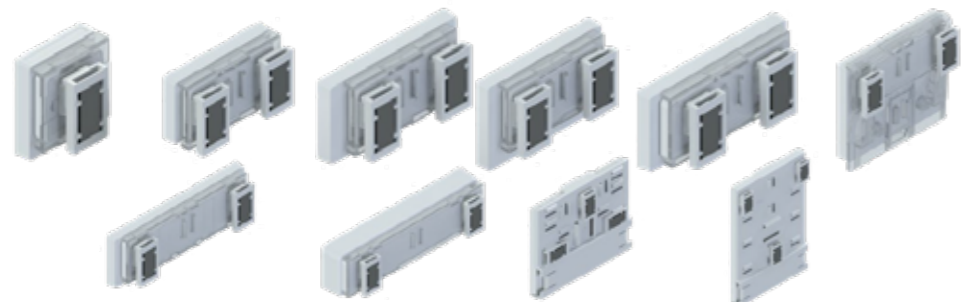
Mounts and more adapter

- Compatible with all label sizes up to 7.5"
- Usage with adapter plates



Pedestal

- Individual adjustment of the inclination depending on the height of the label

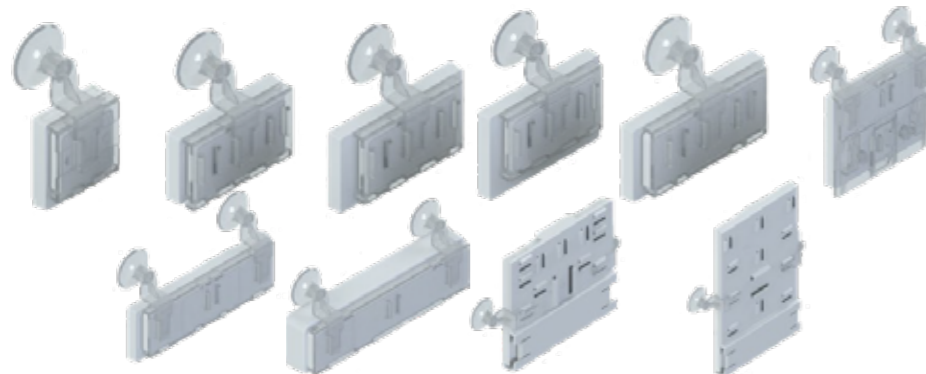
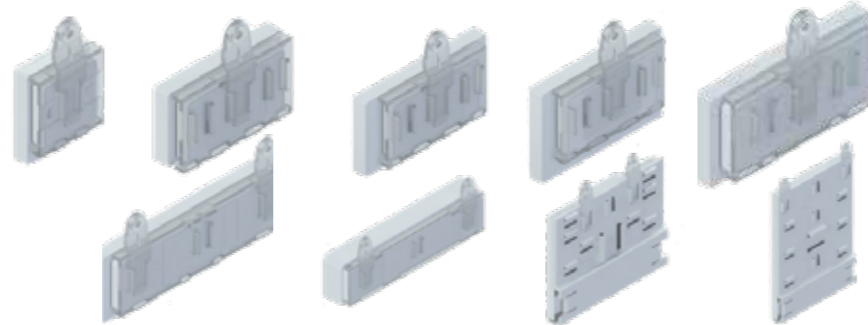


Magnet holder

- Material: Acetal
- Available Color: Gray
- 2mm neodymium magnet

Hanging adapter

- Material: Polycarbonate
- Available Color: Transparent
- Wire or cable



Suction pad mount

- Material: Polycarbonate
- Available Color: Crystal
- Wire or cable

Pedestal inclined

- Material: Polycarbonate, ABS
- Available Colors: Crystal, Gray
- Label attachment in horizontal or vertical position



Pedestal for double connection rods

- Material: Polycarbonate
- Available Colors: Crystal, Black
- Small für SOLUM 1.6", 2.2", 2.6", 2.7", 2.9" & 4.2"
- Medium für SOLUM 4.2" 4.3", Button Label & 6.0"
- Compatible with double connection rods and adapter plates

Pedestal with adjustable inclination

- Material: Polycarbonate
- Available Color: Crystal
- For SOLUM 1.6", 2.2", 2.6", 2.7" & 2.9"
- Compatible with adapter plates



Boomerang pedestal

35mm

- Material: Polycarbonate, Acetal
- Available Colors: Crystal, Black
- For SOLUM 1.6", 2.2", 2.6", 2.7" & 2.9"
- Compatible with adapter plates



55mm

- Material: Polycarbonate, Acetal
- Available Colors: Crystal, Black
- For SOLUM 1.6", 2.2", 2.6", 2.7" & 2.9"
- Compatible with adapter plates



110mm

- Material: Polycarbonate, Acetal
- Available Colors: Crystal, Black
- For SOLUM 1.6", 2.2", 2.6", 2.7", 2.9" & 4.2"
- Compatible with adapter plates



NEWTON mounts

O series

Clips

- Compatible with adapter plates



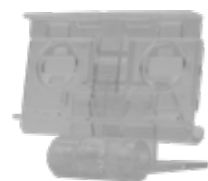
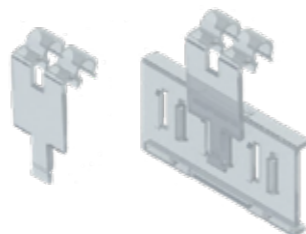
Clip for rods

- Material: Acetal
- Available Colors: Black, White
- Available sizes: Ø 5 mm, Ø 10 mm, Ø 15 mm, Ø 30 mm



Clip for rods and rod holders from Ø 4 to 6 mm

- Material: Polystyrene
- Available Color: Crystal
- 6mm middle cut

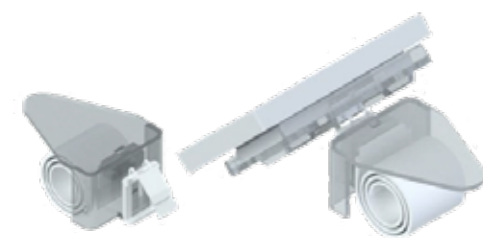
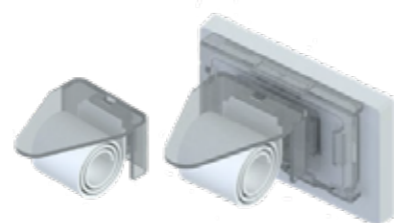


Clip for shelves from 8 to 15 mm

- Material: Polycarbonate
- Available Color: Crystal
- Available for upper and lower position

Universal Clip

- Material: Polycarbonate
- Available Color: Crystal
- For 5 to 30mm thick floors

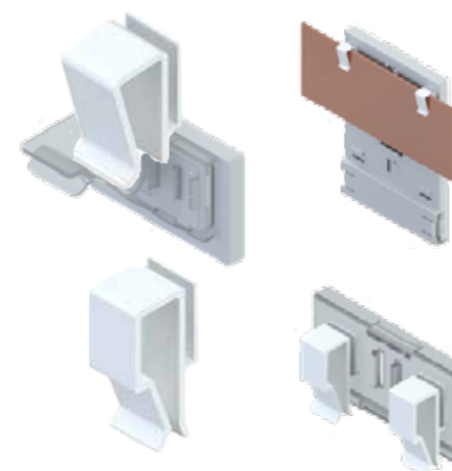
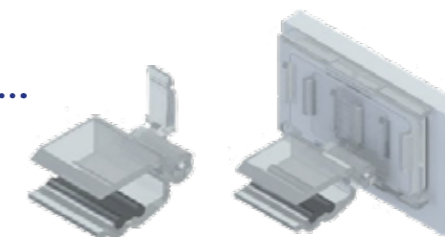


Clip for glass bottoms with non-slip rubber

- Material: Polycarbonate
- Available Color: Crystal
- Available sizes: For 8 mm shelves, For 10 mm shelves
- Anti-slip rubber coating for safe grip

Universal swivel clip

- Material: Polycarbonate
- Available Color: Crystal
- For 5 to 30mm thick floors



Clip for edges from 1 to 6 mm

- Material: Acetal
- Available Colors: White, Black

Clip for edges from 1 to 12 mm

- Material: Acetal
- Available Colors: White, Black

Telescopic tube

- Compatible with bracket & hook for SOLUM 11.6"

Telescopic tube with extendable rod from 1000 to 1900mm

- Material: Aluminium
- Available Color: Anodized



Telescopic tube with stand for SOLUM 11.6"

- Material: Aluminium / Metal
- Available Colors: Anodized / RAL 9006
- Total mount for NEWTON 11.6"



Stand for telescopic tube

- Material: Metal
- Available Color: RAL 9006
- Available sizes: 160 x 200 mm
Ø 240 mm



NEWTON mounts

O series

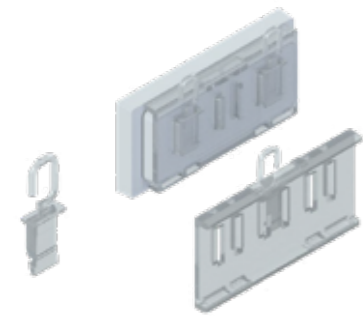
Hanging hook

- Compatible with adapter plates



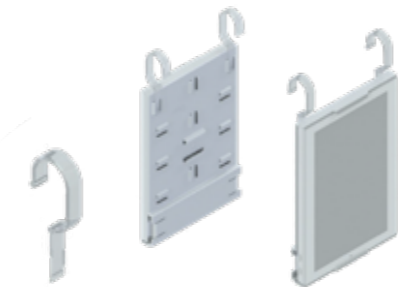
Hanging hook

- Material: Polycarbonate
- Available Color: Crystal
- 9mm connection



Hanging hook for rods up to Ø 20 mm

- Material: Polycarbonate
- Available Color: Crystal
- 9mm connection



Hanging hook for Ø 8 mm

- Material: Polycarbonate, Acetal
- Available Colors: Crystal, Black
- Compatible with all label sizes up to 7.5"



Hanging hook for Ø 12 mm

- Material: Polycarbonate, Acetal
- Available Colors: Crystal, Black
- Compatible with all label sizes up to 7.5"



Angle plug

- Material: Acetal
- Available Colors: Black, White
- Provides various inclination angles for accessories
- Essential for attaching to stand clips, double connection, rods, omni-clippers, uni-clippers or clips for boxes and baskets



Angle plug & clamps



Stand clamp for inclination adjustment

- Material: Acetal
- Available Colors: Black, White
- For SOLUM 1.6", 2.2", 2.6", 2.7", 2.9" UND 4.2"
- Angle plug required (not included)



Stand clamp for inclination adjustment for SOLUM 6.0" und 7.5"

- Material: Acetal
- Available Colors: Black, White
- Angle plug required (not included)

Clamp with double hinge

- Material: Polycarbonate
- Available Color: Black
- Compatible with adapter plates



NEWTON & VUSION

Custom mounts

Custom mounts in various colors or shapes are also available on request. These mounts are discussed individually with METO and Ovelar and charged according to the effort involved. Please contact us to receive an individual offer for special mounts.



Special mount for bicycles

- Material: PVC
- Available Colors: Black
- Specially designed for safe attachment to bicycle handlebars



VUSION

compatibility

	1.6"	2.2"	2.6"	4.2"	4.5"	7.4"	9.7"	12.2"
Blisterhook/Peghook	X	X	X		X			
Universal bar	X	X	X		X			
Glass bar	X	X	X		X			
Clip for glass bottoms	X	X	X		X			
TLS-H bar	X	X	X		X			
TLS-H adapter	X	X	X		X			
Clamping bar adapter	X	X	X		X			
Suspension hook	X	X	X	X	X	X	X	
Foot stand small 1	X	X	X		X			
Foot stand small 2				X		X	X	
Single stand			X	X	X			
Adapter plate small	X	X	X	X	X	X	X	
Adapter plate large				X		X	X	
Wall mount								X
Transparent clip				X	X	X	X	
Light clip	X	X	X					
Price tag clip				X		X	X	
Unifix roll	X	X	X	X	X	X	X	
Spring bracket								X
SnapOn	X	X	X	X	X	X	X	
Hangtag mount		X	X					

NEWTON

compatibility

	1.6"	2.2"	2.6"	2.7"	2.9"	4.2"	4.3"	6.0"	7.5"	11.6"
Blisterhook/Peghook	X	X	X	X	X					
Glass bottom bar	X	X	X	X	X	X	X			
TLS-H bar	X	X	X	X	X	X	X			
Universal bar	X	X	X	X	X	X	X			
Single display 5 cm	X	X	X	X	X					
Single display 10 cm						X	X	X		
Adapter plate small	X	X	X	X	X	X	X	X	X	
Adapter plate large						X		X	X	
Transparent clip						X	X	X	X	
Transparent clip 2	X	X	X	X	X					
Unifix roll	X	X	X	X	X	X	X	X	X	
Foot stand small	X	X	X	X	X	X	X	X	X	
Shelf profile flat	X	X	X	X	X	X	X			
Shelf profile adhesive surface & double flap	X	X	X	X	X	X	X			
Shelf profile adhesive surface	X	X	X	X	X	X	X			
Shelf profile Storebest	X	X	X	X	X	X	X			
Shelf profile T-bars	X	X	X	X	X	X	X			
Adapter plate 1.6"	X									
Adapter plate 2.2", 2.6" & 2.7"		X	X	X						
Adapter plate 2.9"					X					
Adapter plate 4.2"						X				
Inclined brace 4.2"						X				
Adapter plate 4.3", 6.0" & 7.5"							X	X	X	
Adapter plate 6.0"								X		
Adapter plate 7.5"									X	
Cho cross hook	X	X	X	X	X					
Hook OVL model	X	X	X	X	X					

	1.6"	2.2"	2.6"	2.7"	2.9"	4.2"	4.3"	6.0"	7.5"	11.6"
Magnet holder	X	X	X	X	X	X	X	X	X	X
Hanging adapter	X	X	X	X	X	X	X	X	X	X
Suction pad mount	X	X	X	X	X	X	X	X	X	X
Hanging hook for Ø 8 mm & Ø 12 mm	X	X	X	X	X	X	X	X	X	X
Pedestal inclined						X	X	X	X	
Boomerang pedestal 35 mm	X	X	X							
Boomerang pedestal 55 mm		X	X	X	X					
Boomerang pedestal 110 mm		X	X	X	X					
Pedestal for connection rods				X	X	X	X			
Pedestal adjustable inclination	X	X	X	X						
Angle plug	X	X	X	X	X	X	X	X	X	
Single sided hook	X	X	X	X	X	X	X	X	X	
Stand clamp 1	X	X	X	X	X	X				
Stand clamp 2								X	X	
Clip for edges	X	X	X	X	X	X	X	X	X	
Clip for rods	X	X	X	X	X	X	X	X	X	
Clip for rods and rod holders	X	X	X	X	X	X	X	X	X	
Clip for shelves	X	X	X	X	X	X	X	X	X	
Clip for glass bottoms	X	X	X	X	X	X	X	X	X	
Universal clip	X	X	X	X	X	X	X	X	X	
Universal swivel clip	X	X	X	X	X	X	X	X	X	
Hanging hook	X	X	X	X	X	X	X	X	X	
Clamp double hinge	X	X	X	X	X	X	X	X	X	
Stand & telescopic tube										X

A brand of



solutions

Smart. Digital. Efficient.





e-shelf-labels S&K Solutions GmbH

 Sailerwöhr 16, 94032 Passau
 +49 851 200930-30
 +49 851 200930-22
 info@sk-solutions.com | info@e-shelf-labels.com
 www.sk-solutions.com | www.e-shelf-labels.com

e-shelf-labels Hungary

 Futó utca 35-37, 1082 Budapest
 +36 7061 58 001
 info@e-shelf-labels.hu
 www.e-shelf-labels.hu

e-shelf-labels Czech republic

 Impact Hub Brno, Cyrilská 7, 60200 Brno
 +420 734 115 584
 info@e-shelf-labels.cz
 www.e-shelf-labels.cz

e-shelf-labels Poland

 ul. Strefowa 25, 58-200 Dzierżoniów
 +48 735 379 638
 info@e-shelf-labels.pl
 www.e-shelf-labels.pl